

Low-Profile Bridge Rectifiers

GBJA and KBJB Low-Profile Packages



► Features

- Significant height reduction: GBJA and KBJB offer **34% and 36% height reductions** compared to their predecessors when integrated into PCBs.
- Compatibility: Maintain pitch angles and body width while minimizing overall height.
- Design adaptability: Designers can either keep the original PCB size or shrink it, including the heatsink.
- Superior reliability: Eliminate potential quality issues associated with traditional lead-bending methods.


► Applications

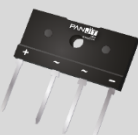
Power Systems



- TV Power Supplies
- Slim Power Adapters
- Power Supplies for Gaming Consoles

► Products

KBJB 	Part Numbers	V_B	I_F	V_F Max. @25°C
		V	A	V
	KBJB1006 / KBJB1506	600	10 / 15	1
	KBJB1008 / KBJB1508	800	10 / 15	1
	KBJB1010 / KBJB1510	1000	10 / 15	1

GBJA 	Part Numbers	V_B	I_F	V_F Max. @25°C
		V	A	V
	GBJA1506 / GBJA2506 / GBJA3506	600	15 / 25 / 35	1
	GBJA1508 / GBJA2508 / GBJA3508	800	15 / 25 / 35	1
	GBJA1510 / GBJA2510 / GBJA3510	1000	15 / 25 / 35	1



ORing Diodes for Charging Piles

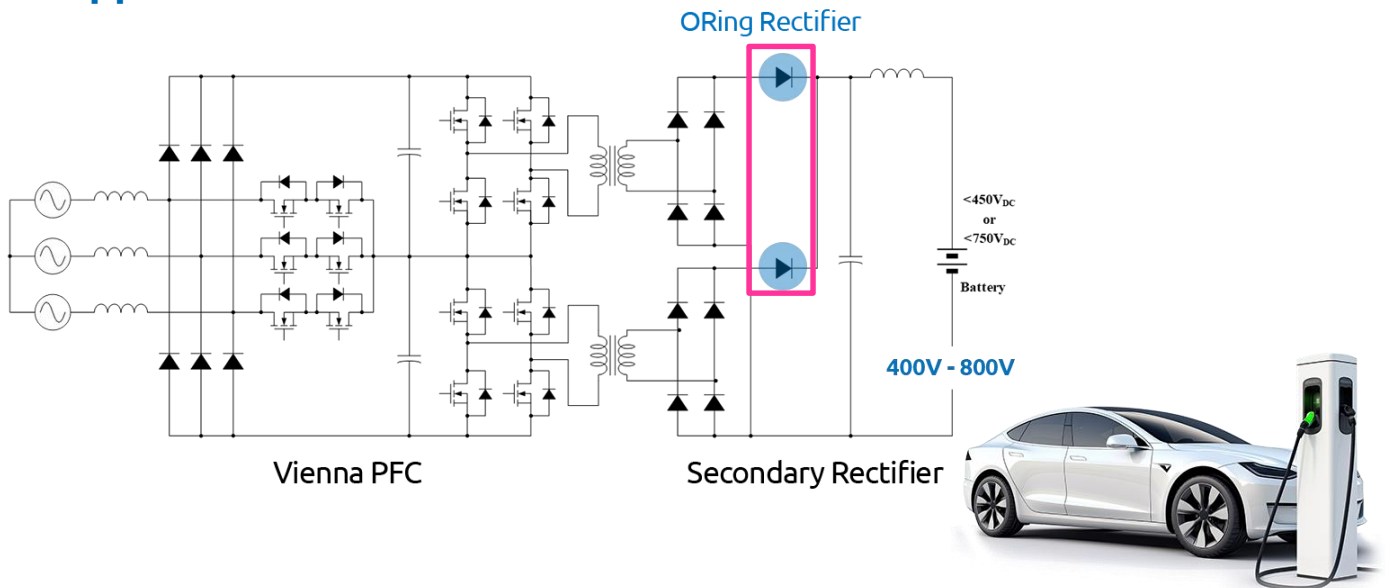
High Voltage Rectifiers Made for Continuous Power Supply




► Features

- Low power loss
- High efficiency and reliability
- High surge current capability
- Glass passivated chip junction
- Fully compliant with EU RoHS 2.0 standards
- Green molding compounds as per IEC 61249 standard

► Applications



► Products

TO-247AD-2LM	Part Numbers	V_{RRM}	I_O	I_{FSM}
		V	A	A
	PGR6016PT	1600	60	800
	PGR9016PT	1600	90	915